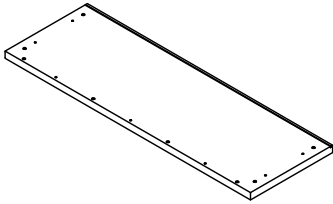


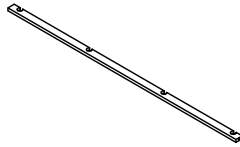
PART LIST / LISTE DES PIÈCES / LISTA DE PIEZAS

ITEM NO. / ARTICLE NO. / ARTICULO NO : J006-010-005/006

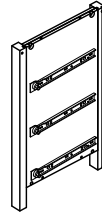
DESCRIPTION / DESCRIPCIÓN : 6 DRAWER DRESSER / COMMODE À TIROIRS / TOCADOR CON CAJONES

**(A)**

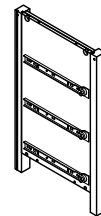
J006-010-005-PANT
J006-010-006-PANT
x1 Top Panel
x1 Panneau Supérieur
x1 Panel Superior

**(B)**

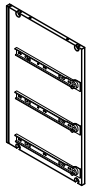
J006-010-005-STRT
J006-010-006-STRT
x1 Top Stretcher
x1 Traverse supérieur
x1 Travesaño superior

**(C)**

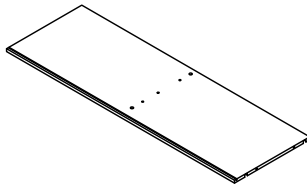
J006-010-005-FRAL
J006-010-006-FRAL
x1 Left Frame Leg
x1 Patte de gauche
x1 Pata izquierda

**(D)**

J006-010-005-FRAR
J006-010-006-FRAR
x1 Right Frame Leg
x1 Patte de droite
x1 Pata derecha

**(E)**

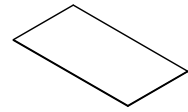
J006-010-005-PAPA
J006-010-006-PAPA
x1 Partition Panel
x1 Panneau de séparation
x1 Panel de partición

**(F)**

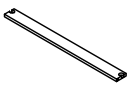
J006-010-005-PANO
J006-010-006-PANO
x1 Bottom Panel
x1 Panneau Inférieur
x1 Panel Inferior

**(G)**

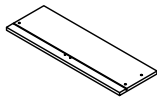
J006-010-005-SULE
J006-010-006-SULE
x1 Support leg
x1 Pied
x1 Pierna de soporte

**(H)**

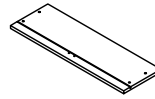
J006-010-005-PANB
J006-010-006-PANB
x2 Back Panel
x2 Panneau Arrière
x2 Panel Posterior

**(I)**

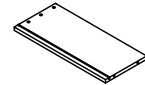
J006-010-005-STRC
J006-010-006-STRC
x2 Center stretcher
x2 Traverse centrale
x2 Travesaño central

**(J)**

J006-010-005-PAFR
J006-010-006-PAFR
x3 Right Front Drawer Panel
x3 Panneau Avant du Tiroir Droit
x3 Panel Frontal del Cajón Derecho

**(K)**

J006-010-005-PAFL
J006-010-006-PAFL
x3 Left Front Drawer Panel
x3 Panneau Avant du Tiroir Gauche
x3 Panel Frontal del Cajón Izquierdo

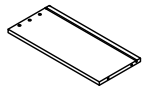
**(L)**

J006-010-005-PANR
J006-010-006-PANR
x6 Right Drawer Panel
x6 Droite Façade de tiroir
x6 Derecha Frente de cajón

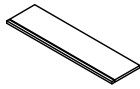
PART LIST / LISTE DES PIÈCES / LISTA DE PIEZAS

ITEM NO. / ARTICLE NO. / ARTICULO NO : J006-010-005/006

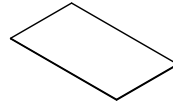
DESCRIPTION / DESCRIPCIÓN : 6 DRAWER DRESSER / COMMODE À TIROIRS / TOCADOR CON CAJONES

**(M)**

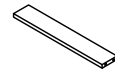
J006-010-005-PANL
J006-010-006-PANL
x6 Left Drawer Panel
x6 Gauche Façade de tiroir
x6 Izquierda Frente de cajón

**(N)**

J006-010-005-PABR
J006-010-006-PABR
x6 Drawer Back Panel
x6 Panneau de Tiroir Arrière
x6 Panel de Cajón Trasero

**(O)**

J006-010-005-PABO
J006-010-006-PABO
x6 Drawer Bottom Panel
x6 Panneau de Tiroir Inférieur
x6 Panel de Cajón Inferior

**(P)**

J006-010-005-SUPD
J006-010-006-SUPD
x6 Drawer Support Panel
x6 Panneau de support de tiroir
x6 Panel de soporte del cajón

**(Q)**

J006-010-005-DOWL
J006-010-006-DOWL
x21 M8x30 Wood Dowels
x21 M8x30 Goujon en bois
x21 M8x30 Tarugo de madera

**(R)**

J006-010-005-DOWS
J006-010-006-DOWS
x72 M6x30 Wood Dowels
x72 M6x30 Goujon en bois
x72 M6x30 Tarugo de madera

**(S)**

J006-010-005-PULL
J006-010-006-PULL
x6 Pull with Screw
x6 Tirer Avec Vis
x6 Tirar Con Tornillo

**(T)**

J006-010-005-HWKI
J006-010-006-HWKI
x12 Hardware kit list
x12 Liste des pièces de quincaillerie
x12 Lista del kit de materiales

**(U)**

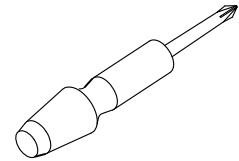
J006-010-005-HWKI
J006-010-006-HWKI
x2 Hardware kit list
x2 Liste des pièces de quincaillerie
x2 Lista del kit de materiales

**(V)**

J006-010-005-HWKI
J006-010-006-HWKI
x8 Hardware kit list
x8 Liste des pièces de quincaillerie
x8 Lista del kit de materiales

**(W)**

RC-ANTI-TIP
x1 Anti-tipping Hardware Kit List
x1 Liste des pièces de quincaillerie antibasculement
x1 Lista del kit de materiales antivuelco

**(X)**

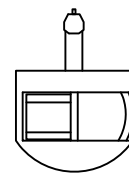
x1 Philips Head Screwdriver
(Not Provided)
x1 Tournevis Philips
(Outils non fournis)
x1 Destornillador de Estrella
(No estan Incluidas las Herramientas)

STEP 1

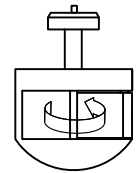
Ⓚ
[M8 x 30] [x 2]



CAUTION

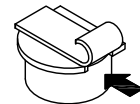
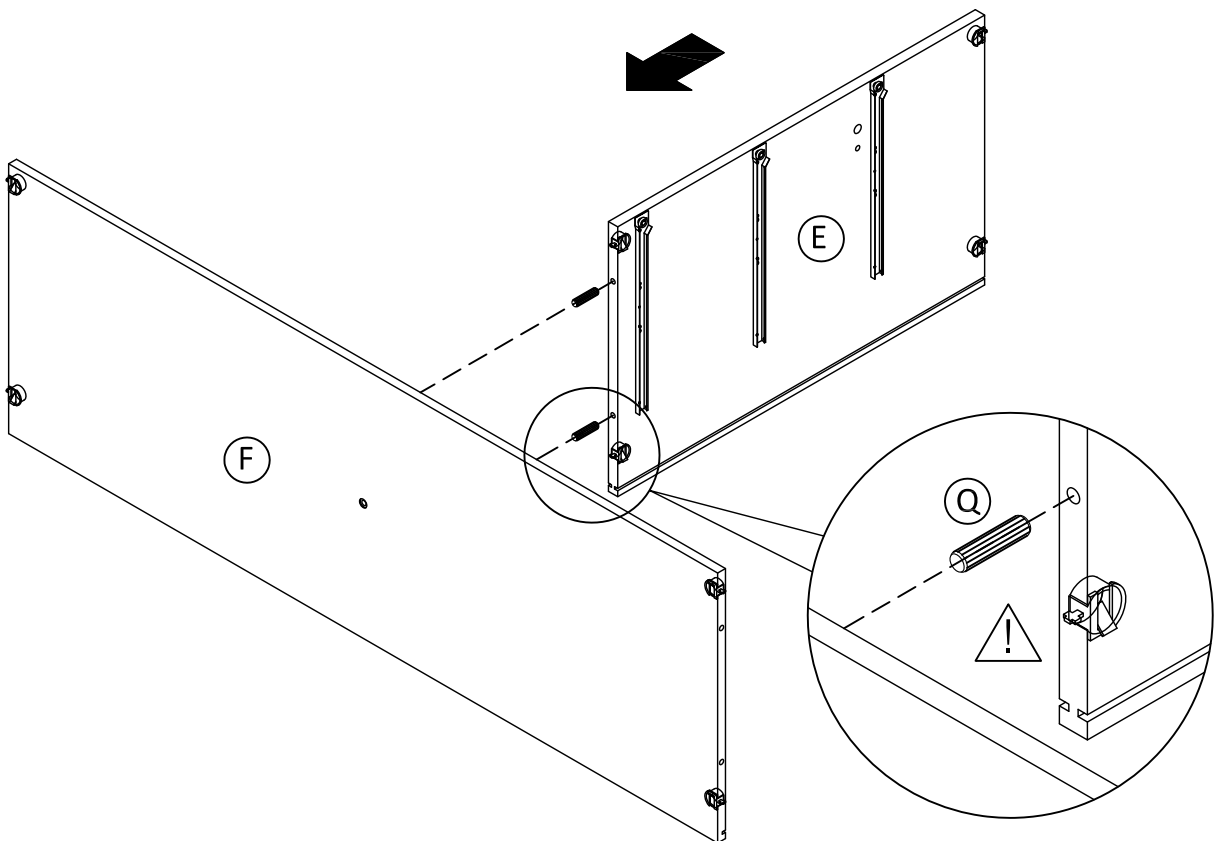


OPEN



LOCK

PLEASE ENSURE THUMBLOCK IN OPEN POSITION BEFORE ASSEMBLY



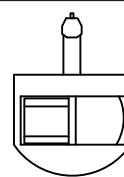
PEEL OFF THE PROTECTION TAPE TO LOCK THE MECHANISM AFTER ASSEMBLED

STEP 2

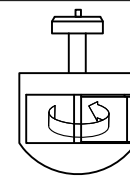
Ⓚ [M8 x 30] [x 1]



CAUTION

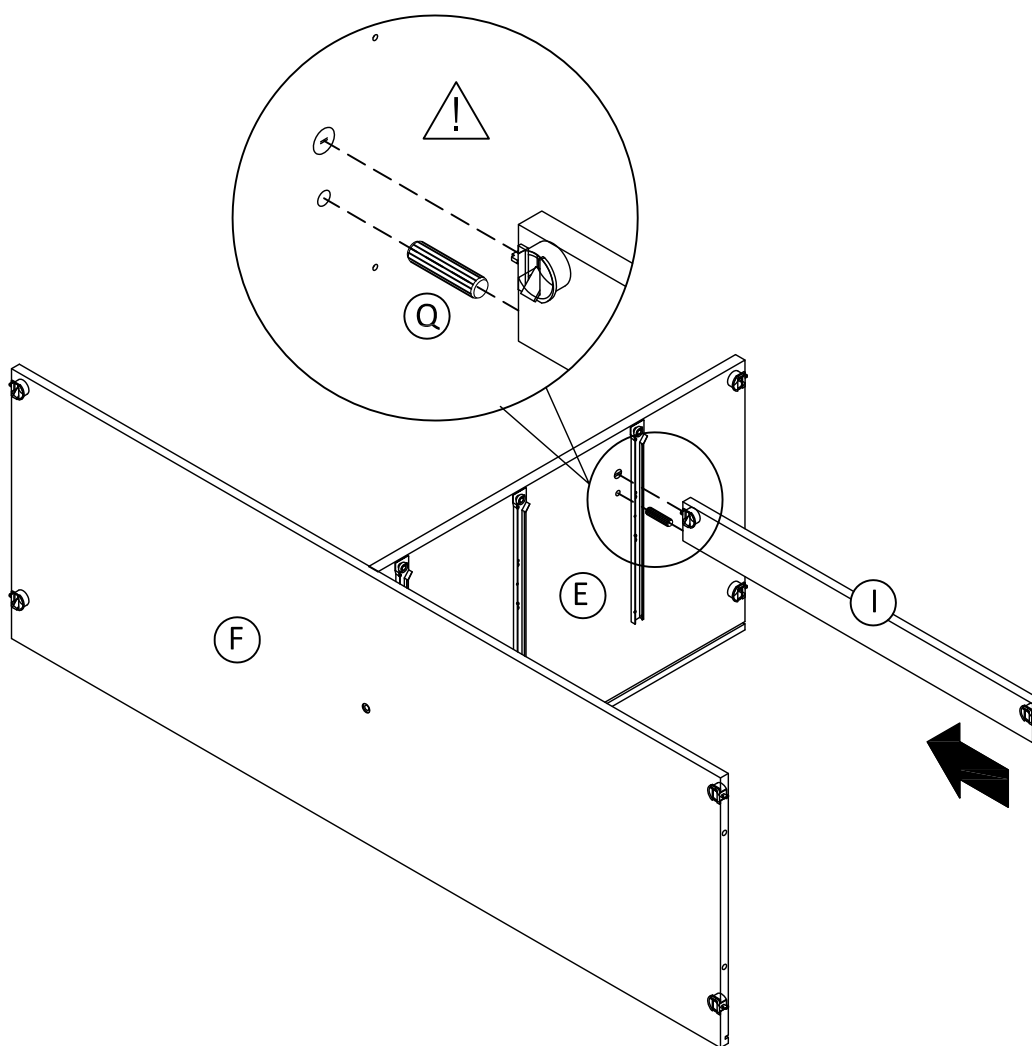


OPEN

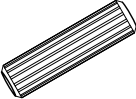


LOCK

PLEASE ENSURE THUMBLOCK IN OPEN POSITION BEFORE ASSEMBLY

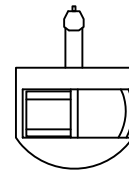


STEP 3

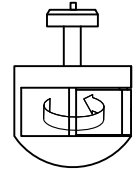
Ⓚ
[M8 x 30]  [x 3]



CAUTION

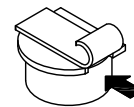
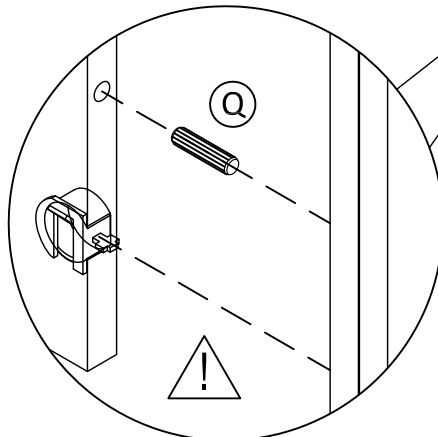
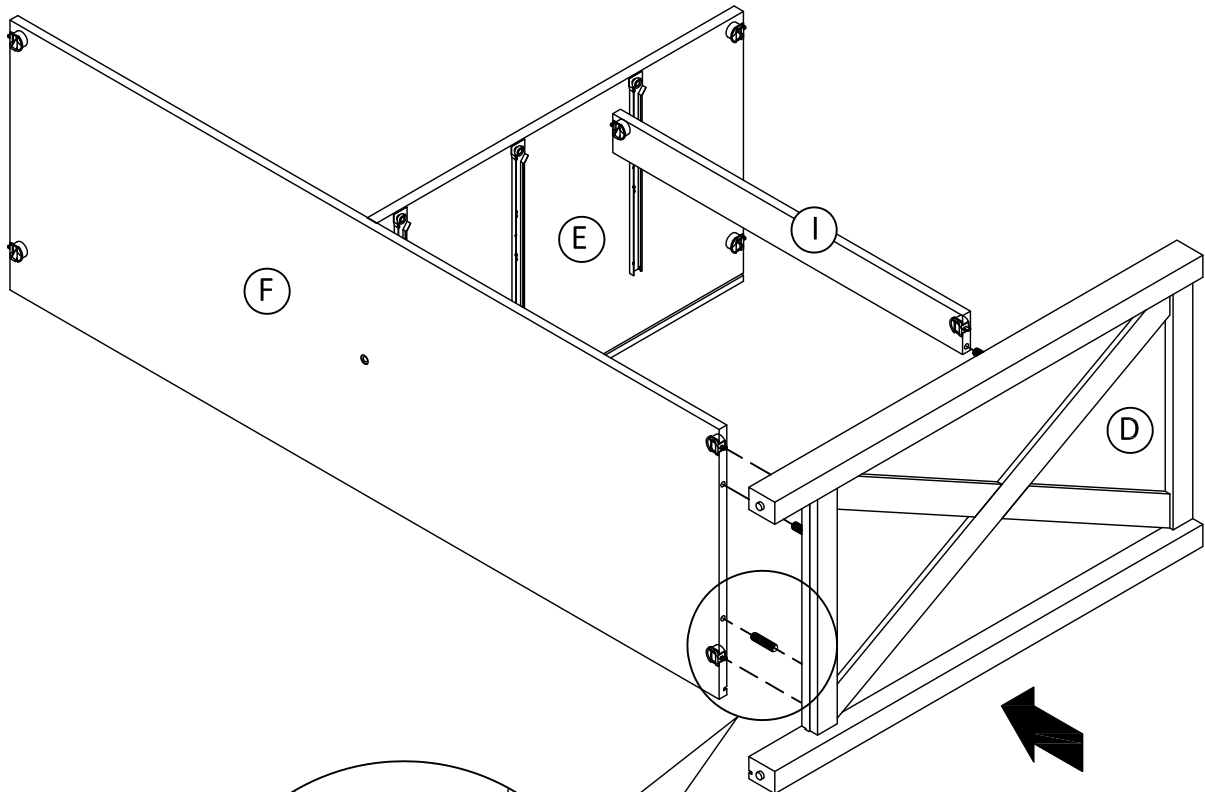


OPEN



LOCK

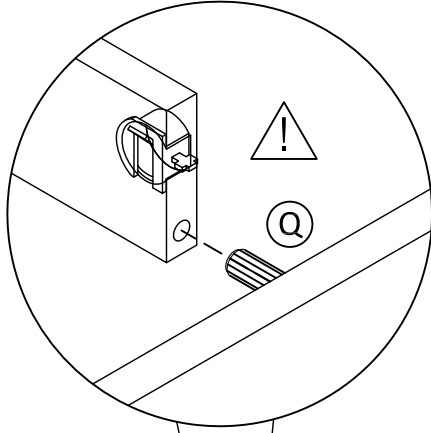
PLEASE ENSURE THUMBLOCK IN OPEN POSITION BEFORE ASSEMBLY



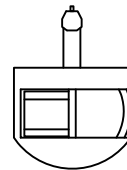
PEEL OFF THE PROTECTION TAPE TO LOCK THE MECHANISM AFTER ASSEMBLED

STEP 4

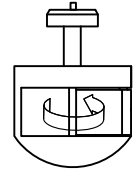
Q
[M8 x 30] [x 2]



CAUTION



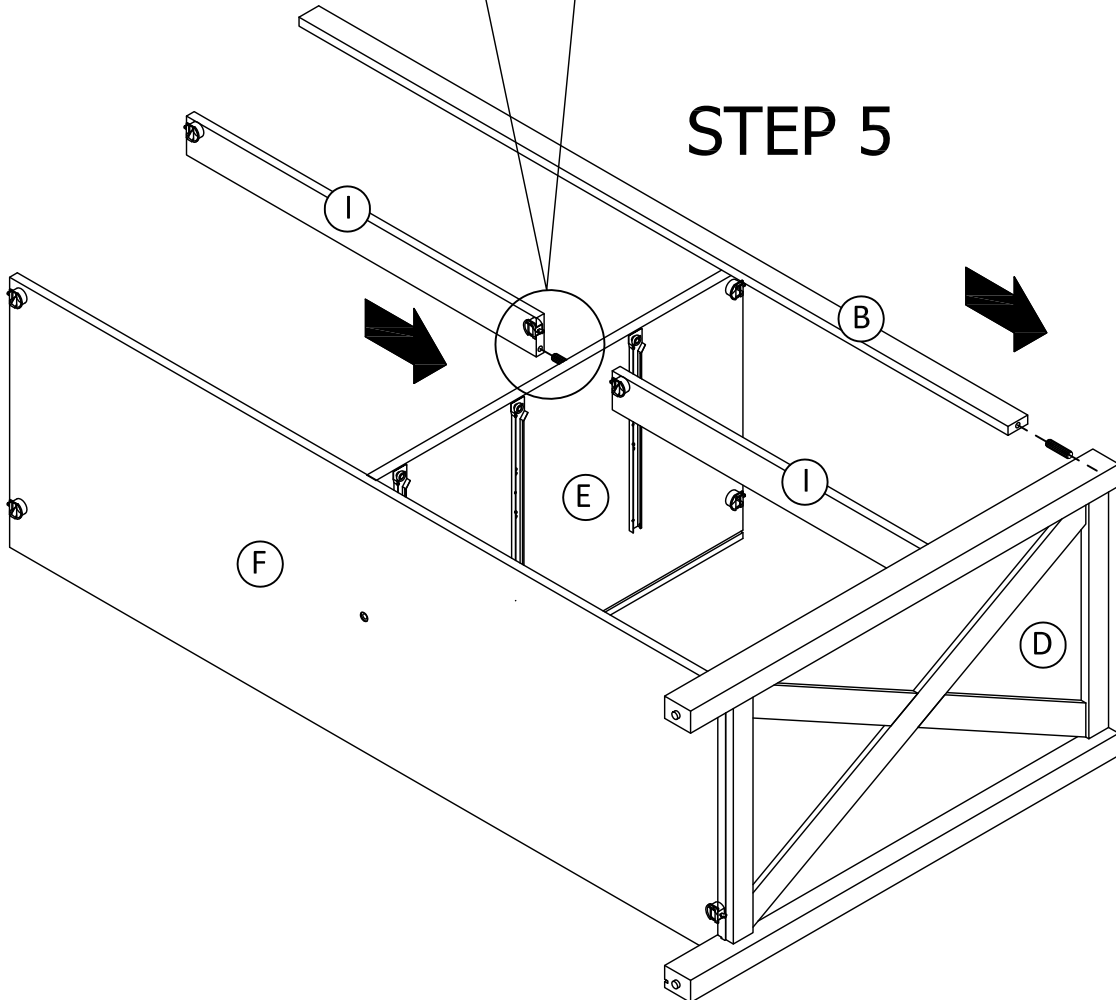
OPEN



LOCK

PLEASE ENSURE THUMBLOCK IN OPEN POSITION BEFORE ASSEMBLY

STEP 5

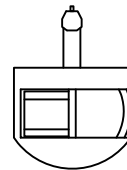


STEP 5

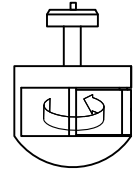
Q
[M8 x 30] [x 4]



CAUTION

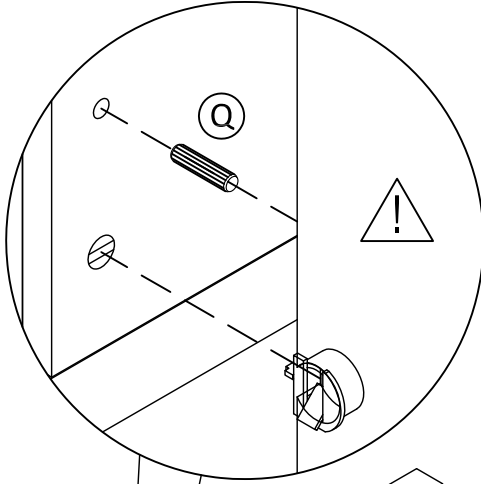


OPEN

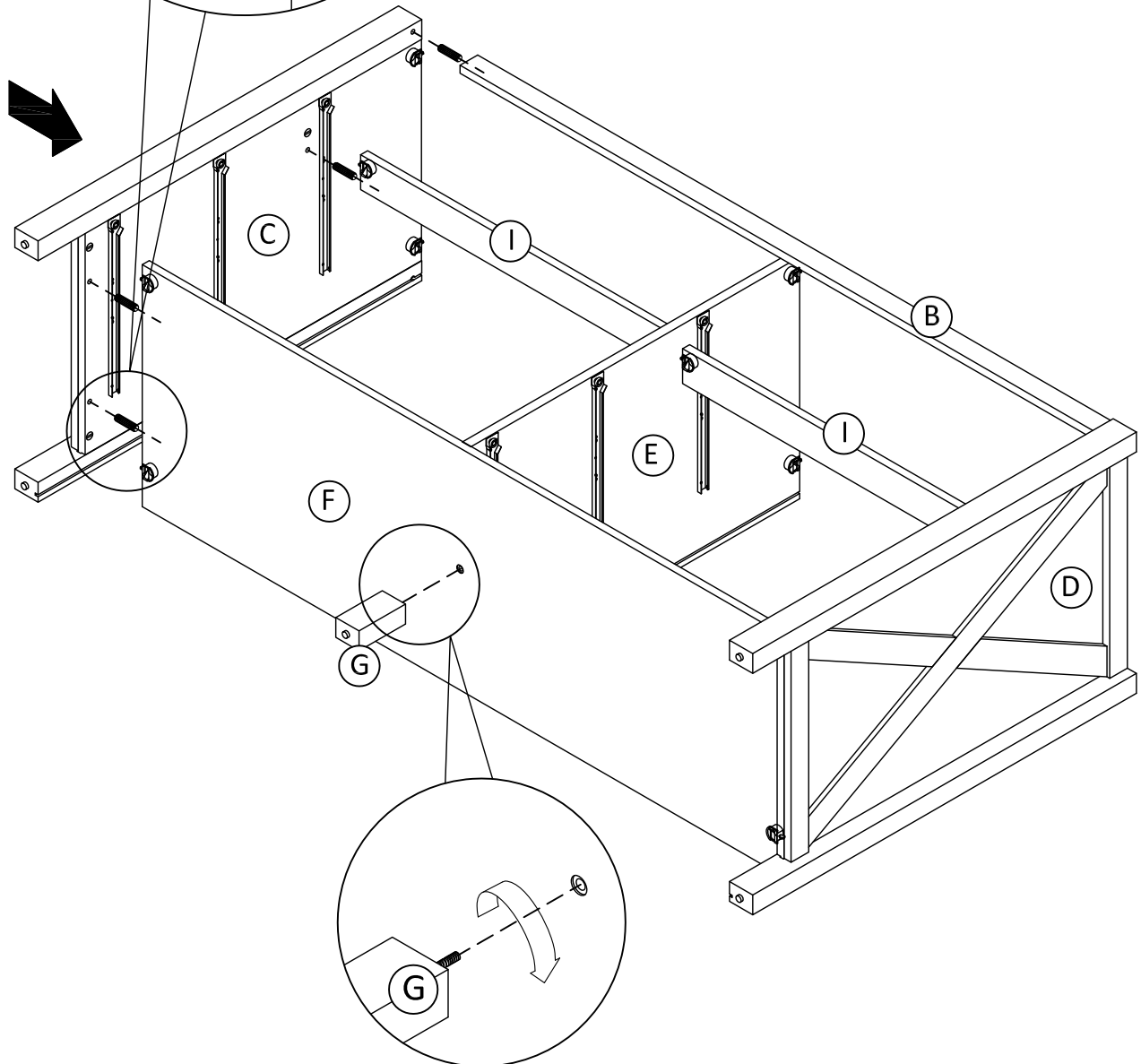


LOCK

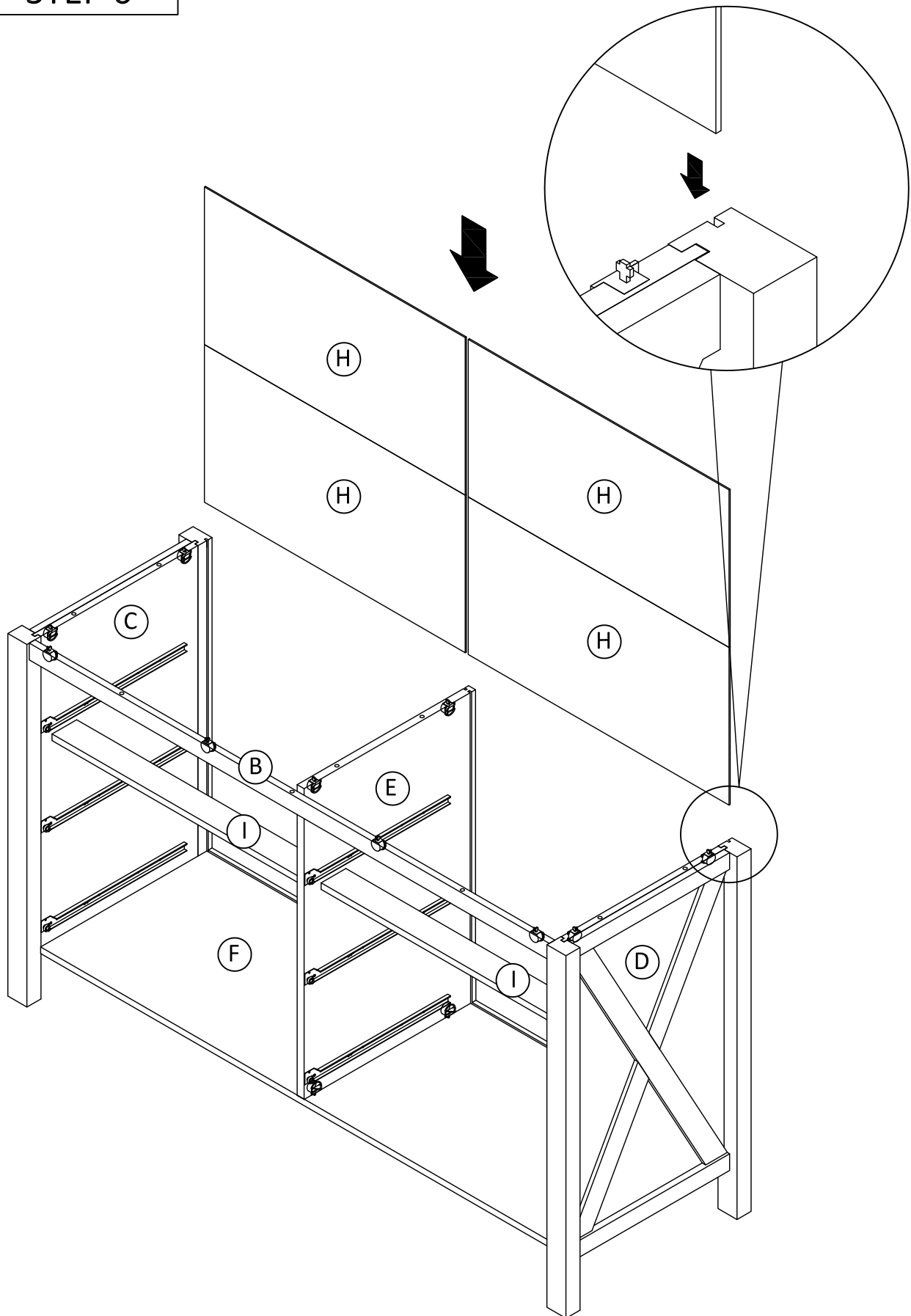
PLEASE ENSURE THUMBLOCK IN OPEN POSITION BEFORE ASSEMBLY



PEEL OFF THE PROTECTION TAPE TO LOCK THE MECHANISM AFTER ASSEMBLED



STEP 6



ASSEMBLY INSTRUCTIONS / NOTICE DE MONTAGE / INSTRUCCIONES DE MONTAJE

ITEM NO. / ARTICLE NO. / ARTICULO NO : J006-010-005/006

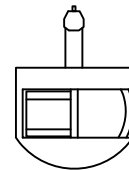
DESCRIPTION / DESCRIPCIÓN : 6 DRAWER DRESSER / COMMUNE À TIROIRS / TOCADOR CON CAJONES

STEP 7

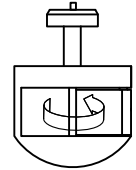
Q
[M8 x 30] [x 9]



CAUTION

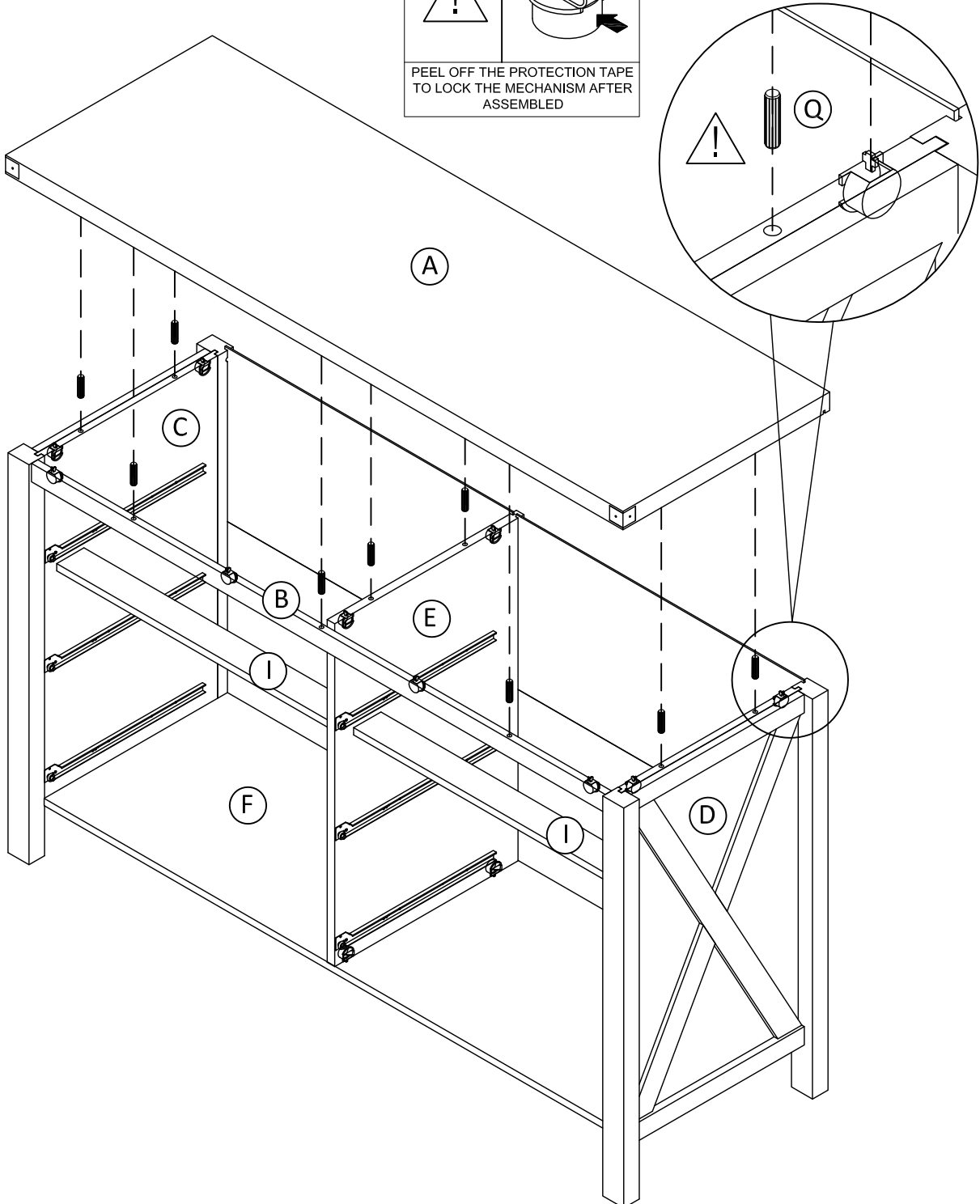


OPEN



LOCK

PLEASE ENSURE THUMBLOCK IN OPEN POSITION BEFORE ASSEMBLY

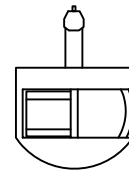


STEP 8

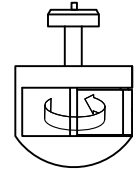
(R) [M6 x 30] [x 6]



CAUTION

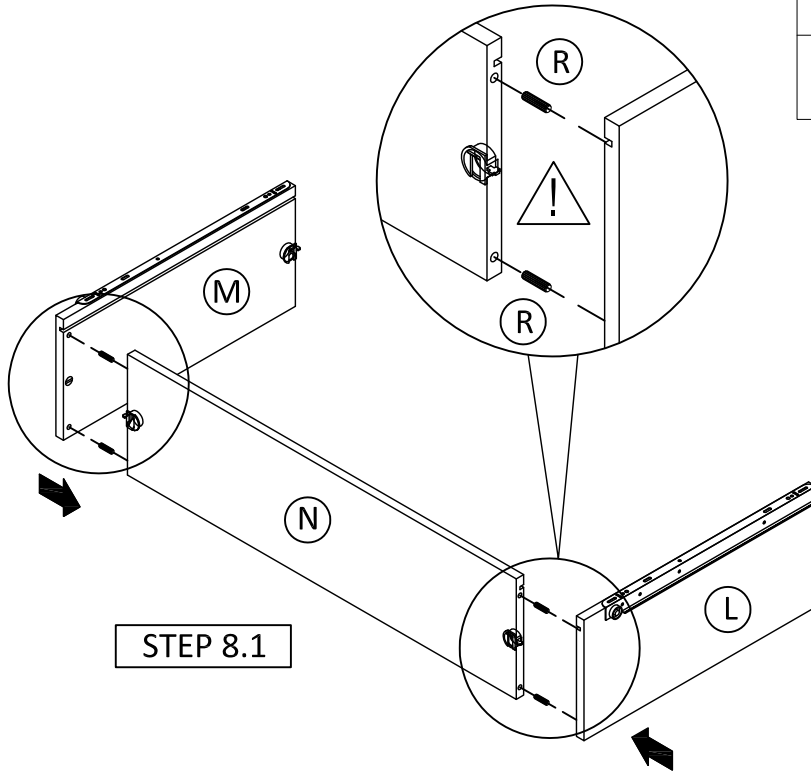


OPEN

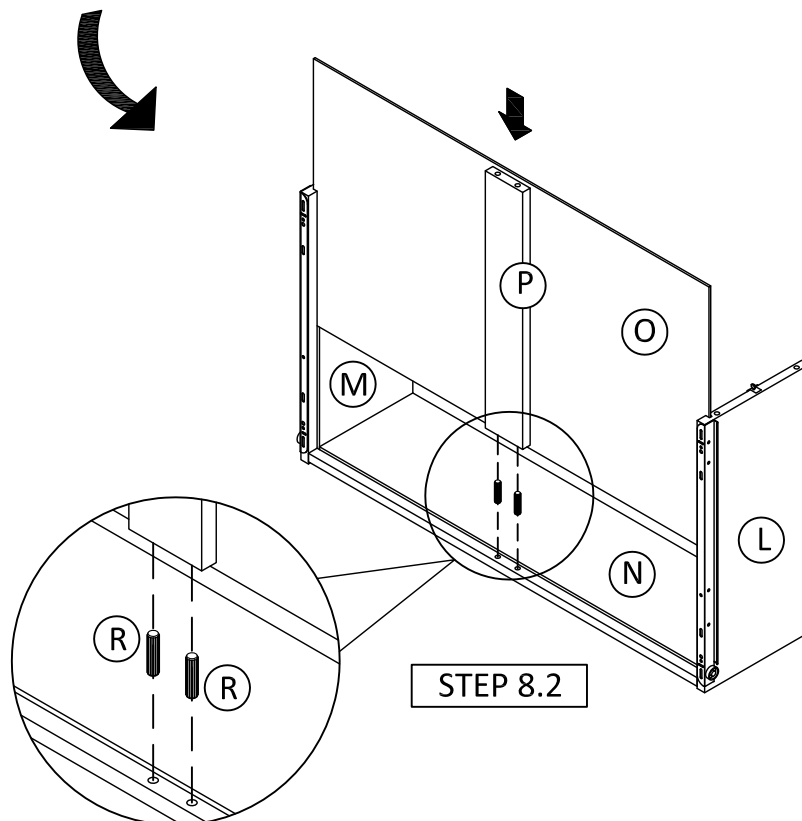


LOCK

PLEASE ENSURE THUMBLOCK IN OPEN POSITION BEFORE ASSEMBLY



STEP 8.1



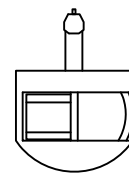
STEP 8.2

STEP 8

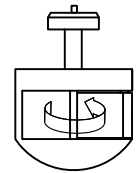
(R)
[M6 x 30] [x 6]



CAUTION

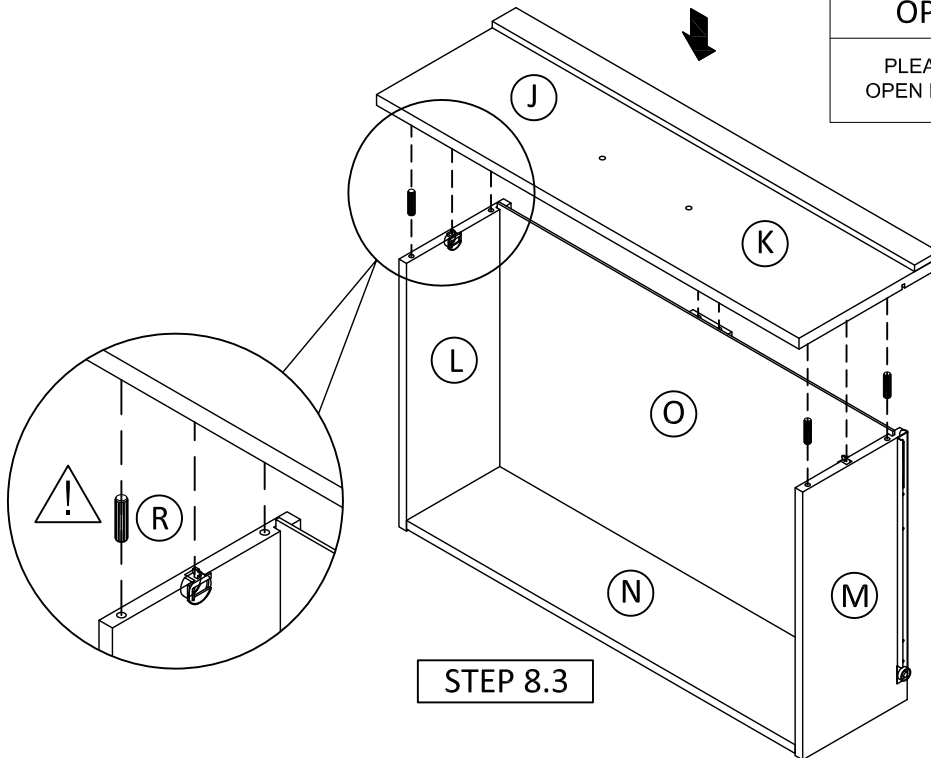


OPEN

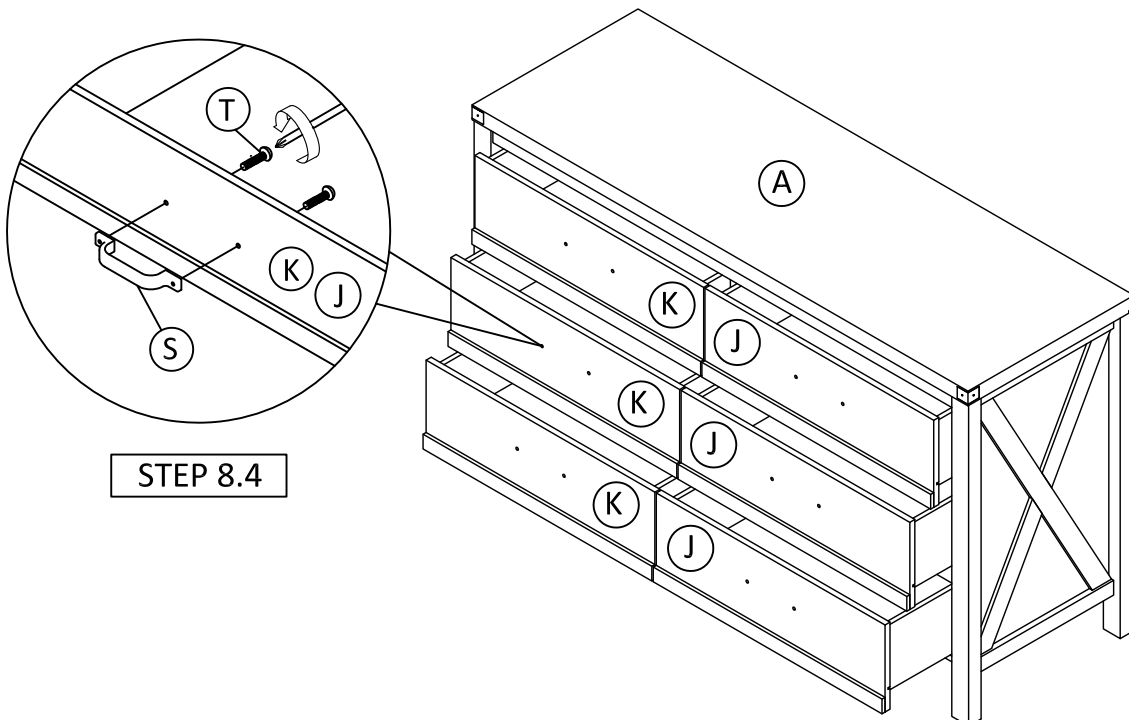


LOCK

PLEASE ENSURE THUMBLOCK IN OPEN POSITION BEFORE ASSEMBLY



STEP 8.3



STEP 8.4

ASSEMBLY INSTRUCTIONS / NOTICE DE MONTAGE / INSTRUCCIONES DE MONTAJE

ITEM NO. / ARTICLE NO. / ARTICULO NO : J006-010-005/006

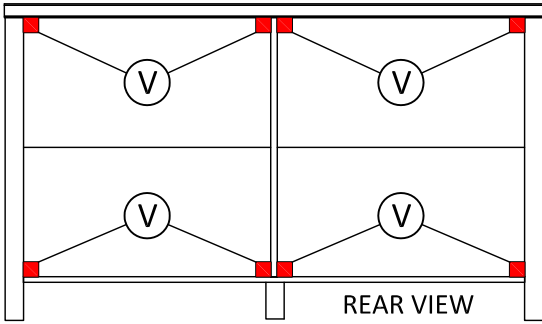
DESCRIPTION / DESCRIPCIÓN : 6 DRAWER DRESSER / COMMODE À TIROIRS / TOCADOR CON CAJONES

STEP 9

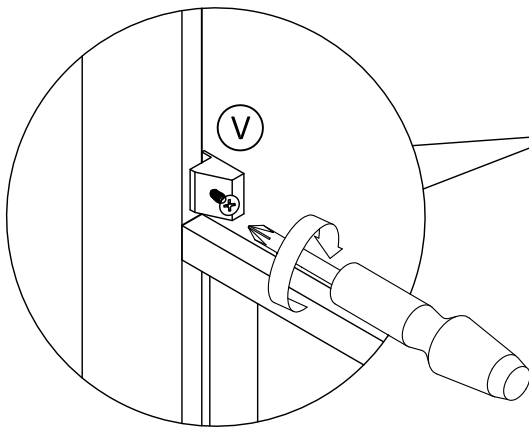
V [HARDWARE KIT]



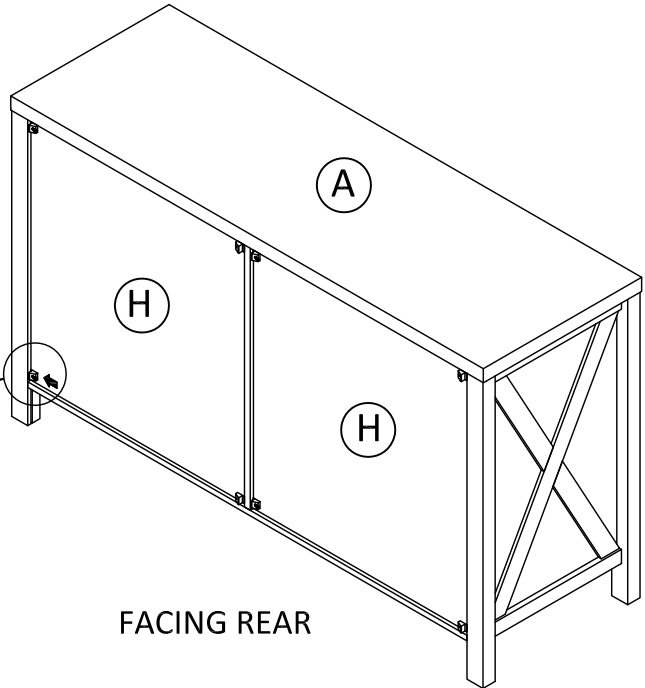
[x 8]



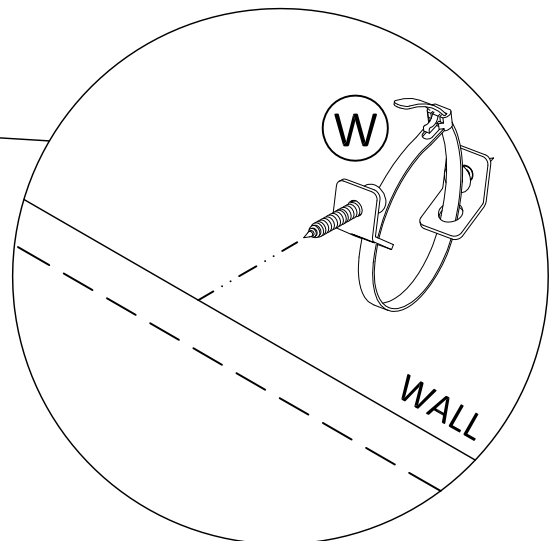
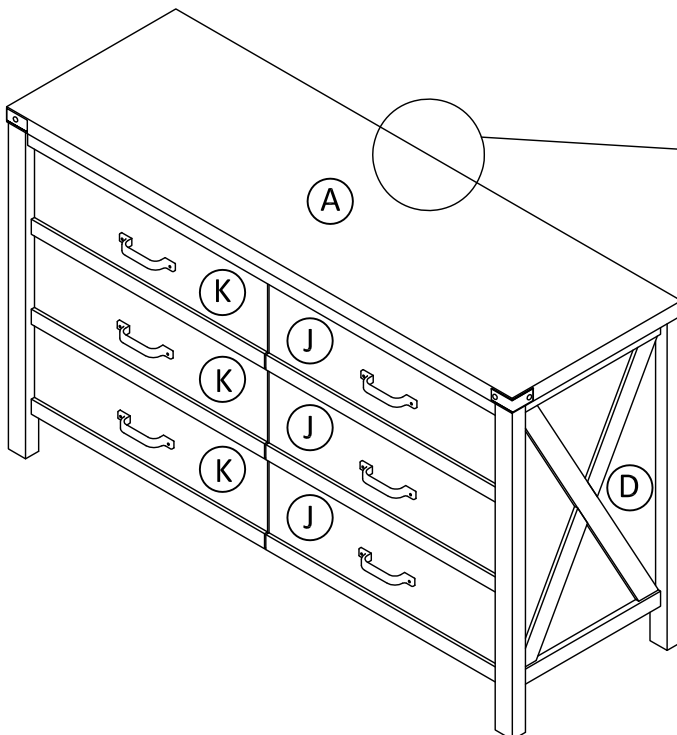
REAR VIEW



STEP 9.1



FACING REAR



STEP 9.2